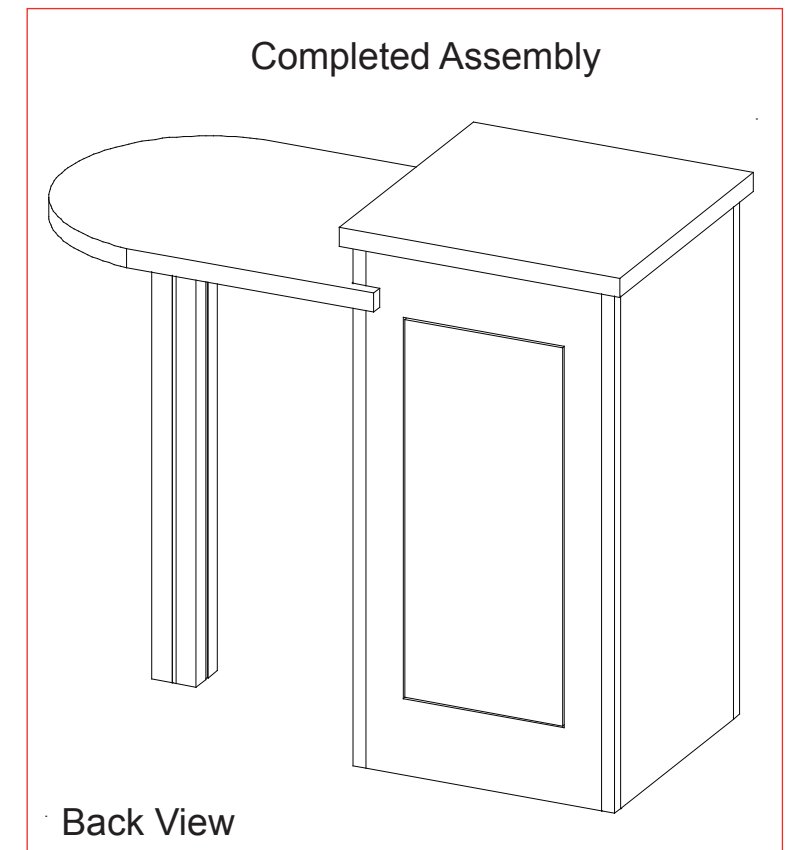
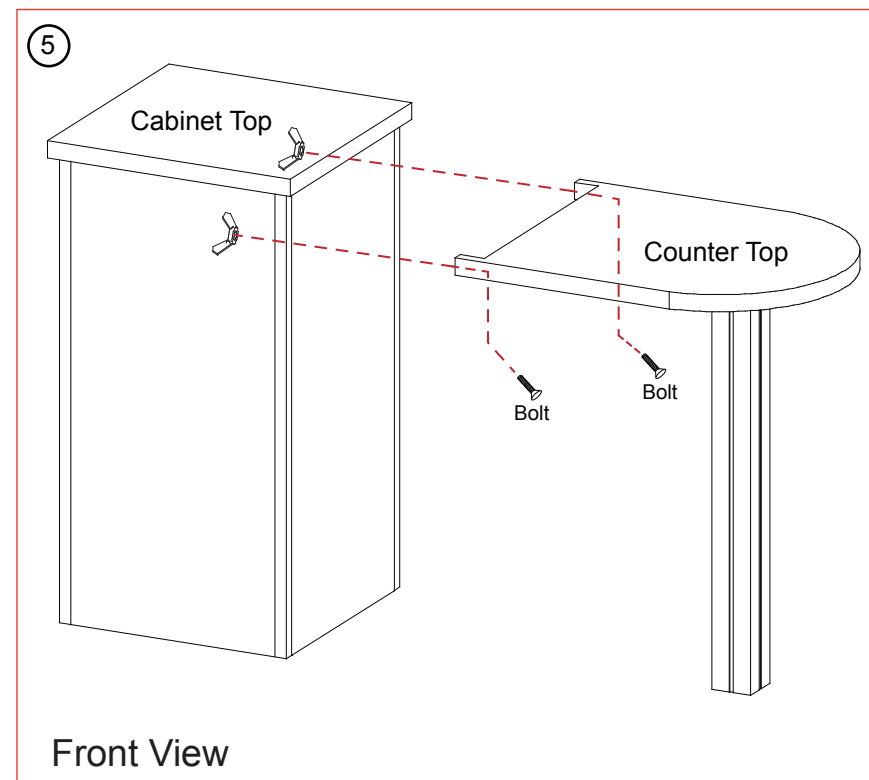
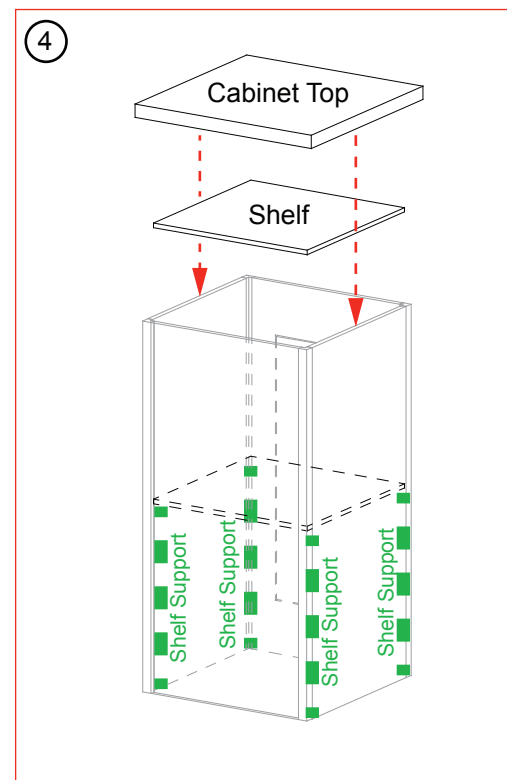
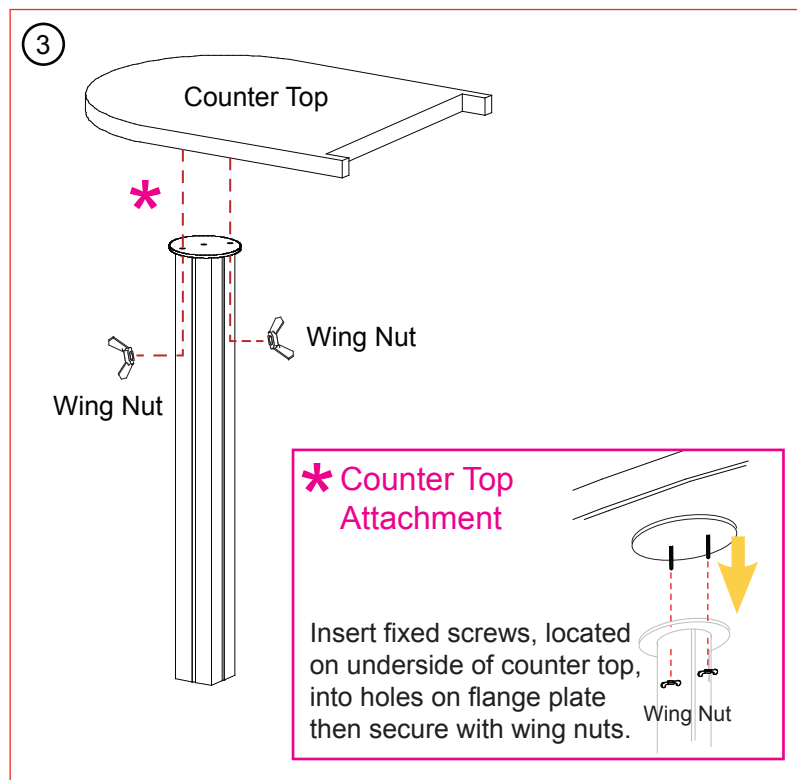
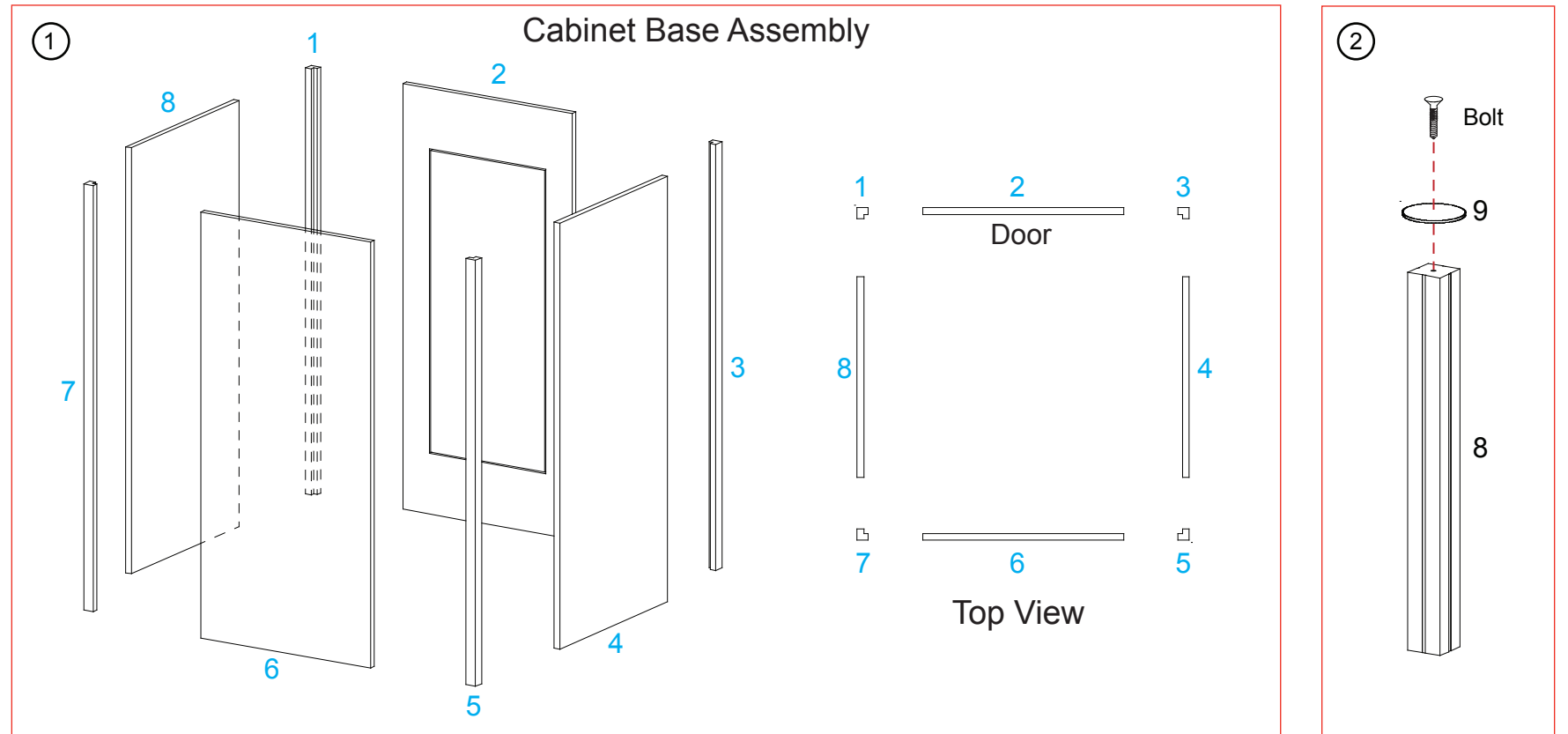


Item	Qty.	Description
1	1	42" 90° LT-Connector
2	1	19" LT-Panel w/ Door
3	1	42" 90° LT-Connector
4	1	19" LT-Panel
5	1	42" 90° LT-Connector
6	1	19" LT-Panel
7	1	42" 90° LT-Connector
8	1	19" LT-Panel
8	1	37.25" Vertical Extrusion
9	1	Flange Plate

Steps:

- 1) Connect panels and connectors [1-8] together in numerical order.
- 2) Connect [9] to the top of vertical [8], using bolt.
- 3) Attach counter top to flange plate [9]. See **Counter Top Attachment** detail.
- 4) Attach shelf supports to Velcro on interior of cabinet base, then place shelf on top of supports.
- 5) Place cabinet top on top of assembled cabinet base.
- 6) Attach counter top to cabinet base, using bolts and wing nuts.



General Setup Instructions

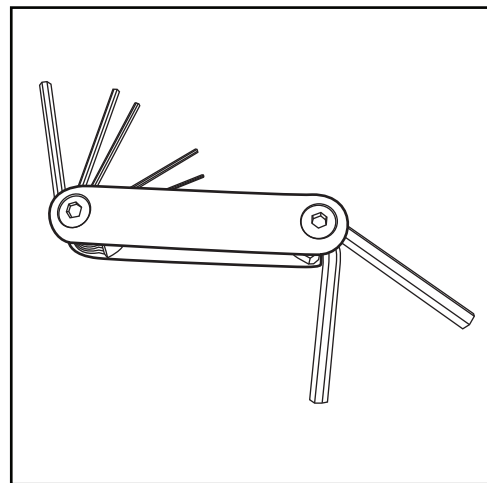
- Read entire setup instruction manual prior to unpacking parts and pieces.
- The setup instructions are created specifically for this configuration.
- Setup instructions are laid out sequentially in steps, including exploded views with detailed explanation for assembly.

Cleaning & Packing

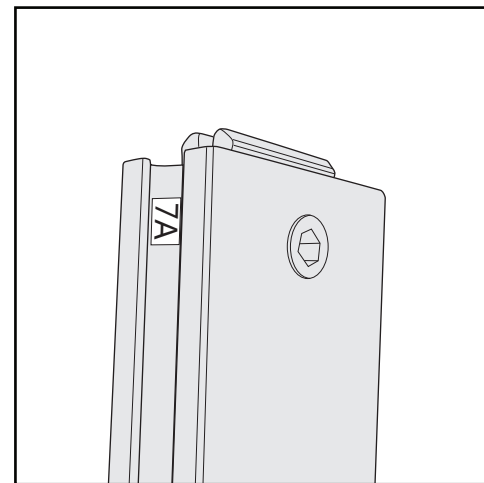
- For Cleaning Metal, Plex, & Laminate Parts: Use a **MILD NON-ABRASIVE** cleanser and soft cloth/paper towel to clean all surfaces.
- Keep exhibit components away from heat and prolonged sun exposure. **Heat and UV exposure will warp and fade components.**
- Retain all provided Packing Materials. All provided packing materials are for ease of repacking & component protection.

Disassembly

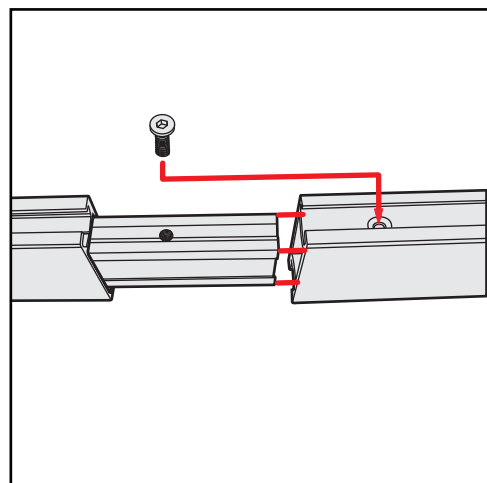
- For loss prevention, tighten all setscrews and locks during disassembly



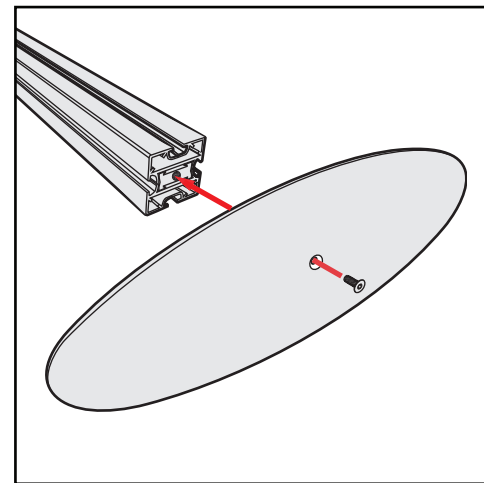
Hex Tool - Essential for Assembly



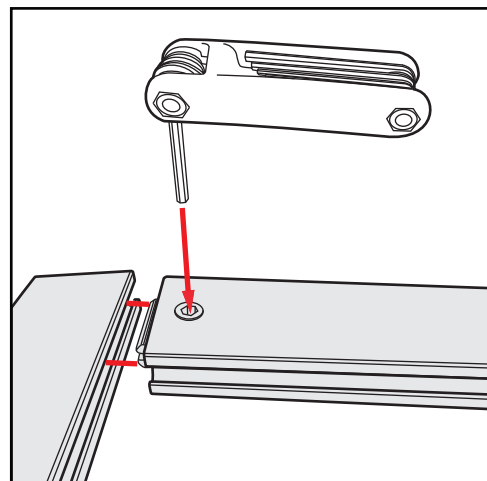
Part Identification - Numbering



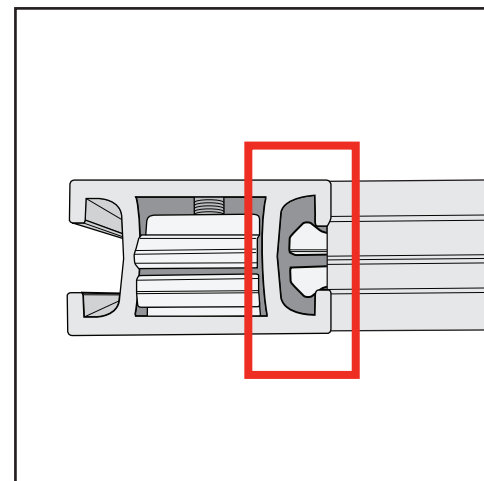
Spline Connection



Base Plate & Extrusion Connection



Extrusion & Lock Connection



Engaged Lock



WARNING



DO NOT USE POWER TOOLS



LADDERS OR LIFTS
MAY BE REQUIRED



ALL CONNECTIONS MUST
BE TIGHTLY SECURED